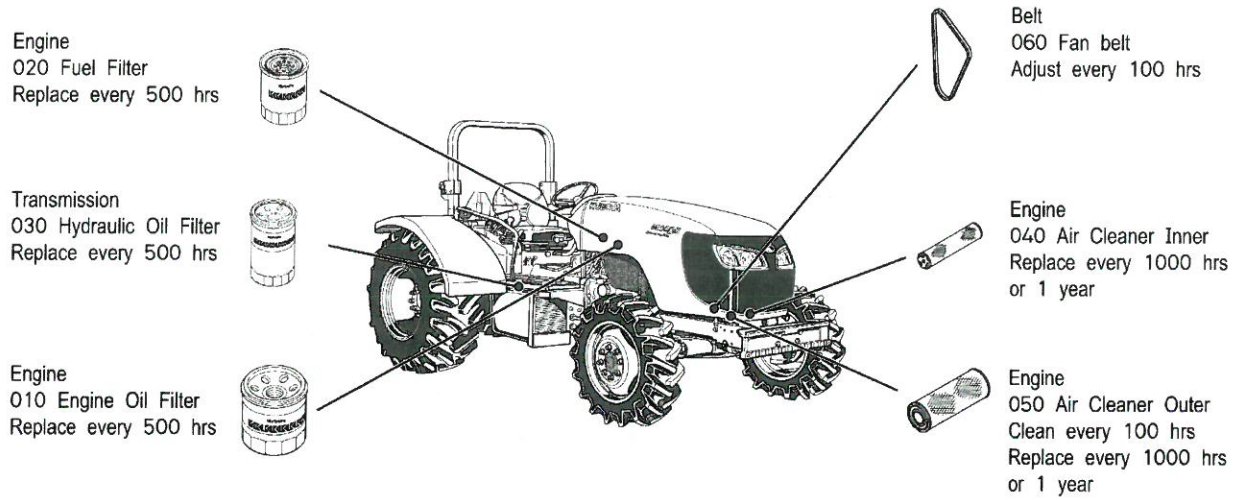


000006 FILTER AND FLUID CAPACITY ## FUI(M108SDSL/SDSL2/SDSL5/SDSL2
M108SDSL/SDSL2/SDSL-SN/SDSL2-SN FREQUENTLY USED ITEMS

Update Date: 2025/04/18

Printing Date: 2025/05/24



FUITM-504-10

M108SDSL	Fuel	Coolant	Recovery Tank	Engine Oil	Transmission	Front Axle Case	Front Differential Case
Capacities	46.2Gal 175L	10.1Qt 9.6L	1.2Qt 1.1L	11.3Qt 10.7L	63.4Qt 60L	3.7Qt 3.5L	7.4Qt 7L
Change interval		2000hrs or 2years	2000hrs or 2years	500hrs	1000hrs	1000hrs	1000hrs
Ref#		070	070	080	090	090-100	090-100

*see "Lubrications & Chemicals" page for a complete selection of oils.

≡ Interchangeable

NI Not Interchangeable

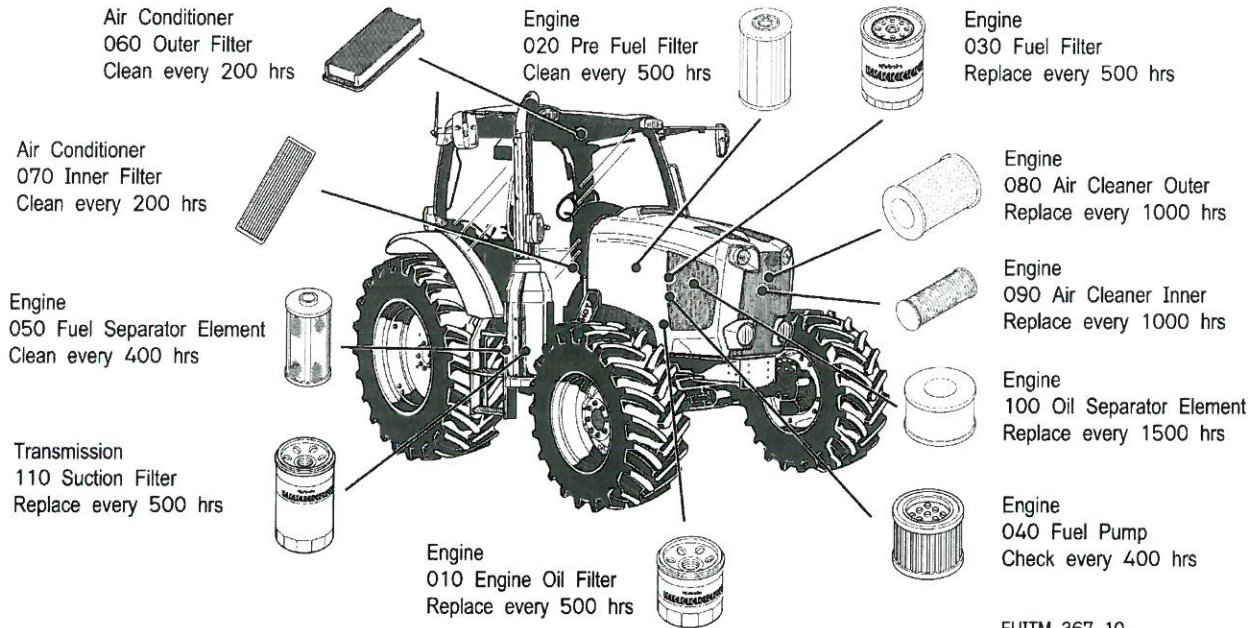
>> New for Old

<< Old for New

No.	Part No.	Part Name	Qty	FRT[h]	IC	Serial No./PIN	Remarks	.lbs
010	HH1C0-32430	CARTRIDGE,OIL FILTER	1	-				1.21
020	HH166-43560	ELEMENT,FUEL FILTER	1	-				0.858
030	HHTA0-37710	FILTER(CARTRIDGE,OIL)	2	-				1.606
040	55231-26150	ELEMENT,INNER	1	-				0.814
050	59700-26112	ASSY ELEMENT,A/C	1	-				2.42
060	1G541-97010	BELT,V	1	-				0.308
070	70040-0L014	EXT LIFE 100% ANTIFREEZE/COOLANT (1 GAL)	1	-				0.0
070	77700-06325	50/50 PREDILUTED ANTIFREEZE COOLANT, GAL	1	-				0.0
070	77700-13454	CONCENTRATED ANTI-FREEZE/COOLANT 55 GAL	1	-				0.0
070	77700-13455	50/50 PREDILUTED ANTI-FREEZE/COOL 55 GAL	1	-				0.0
080	70000-10200	OIL, 1 QT 10W-30	1	-			12pcs per case/576pcs per pallet	0.0

00003 FILTER AND FLUID CAPACITY ## FILTER AND FLUID CAPACITY
M6-131DTC FREQUENTLY USED ITEMS

Update Date: 2025/04/18
 Printing Date: 2025/05/24



FUITM-367-10

M6-131•M6-141	Fuel	Coolant	Engine Oil	Gear Oil	Transmission
Capacities	50.2Gal	16.8Qt	15.4Qt	4.8Qt	68.7Qt
	190L	15.9L	14.6L	4.5L	11.2L
Change interval		2years	500hrs	1000hrs	1000hrs
Ref#		120	130	140	150

*see "Lubrications & Chemicals" page for a complete selection of oils.

≡ Interchangeable

NI Not Interchangeable

>> New for Old

<< Old for New

No.	Part No.	Part Name	Qty	FRT[h]	IC	Serial No./PIN	Remarks	.lbs
010	HH1G0-32430	CARTRIDGE,OIL FILTER	1	-				2.365
020	1J520-43060	ASSY ELEMENT,FILTER	1	-				0.5104
030	HH1J0-43170	FILTER(FUEL CARTRIDGE)	1	-		<=3JPZ999		1.43
030	HH1J0-43172	FILTER(FUEL CARTRIDGE)	1	-	>>	>=3JQ0001		1.43
040	1G410-52300	FILTER	1	-				0.055
050	1G311-43380	ELEMENT	1	-				0.0726
060	T1855-71600	FILTER	1	-				0.5808
070	6A671-75090	FILTER	1	-				0.176
080	3P300-11220	ELEMENT,OUTER	1	-				2.3298
090	1J520-11222	ELEMENT(INNER)	1	-				0.8184
100	1J520-05810	ELEMENT,KIT	1	-		<=3JRZ999		0.132
100	1J520-05812	ELEMENT,KIT	1	-	>>	>=3JS0001		0.044

000003 FILTER AND FLUID CAPACITY ## FILTER AND FLUID CAPACITY
M6-131 DTC FREQUENTLY USED ITEMS

Update Date: 2025/04/18

Printing Date: 2025/05/24

= Interchangeable

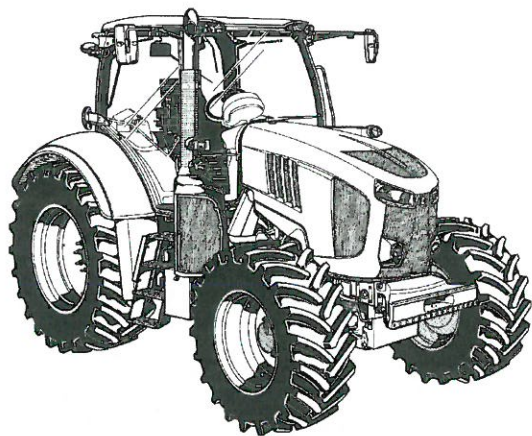
NI Not Interchangeable

>> New for Old

<< Old for New

No.	Part No.	Part Name	Qty	FRT[h]	IC	Serial No./PIN	Remarks	.lbs
110	HH3Y0-82590	HYDR.-FILTER	1	-				3.08
120	70040-0L014	ANTIFREEZE,1 GAL 100% ETHYL/GLYC CONC	1	-				0.0
130	70000-10202	OIL, 2.5GAL 10W-30	1	-				0.0
130	70000-10002	OIL, 2.5 GAL 15W-40	1	-				0.0
140	70000-10900	LUBE,1QT 80W90 HD	1	-				0.0
150	70000-40205	KUBOTA SUPER UDT2 SYNTHETIC (5 GALLON)	1	-				0.0

M7-132 · M7-152 · M7-172



FUTM-560-12

Item	Capacity	Change Interval
Engine Oil	22 L (23.2 U.S.qts.)	after the first 50 hours of operation. Every 500 hours
Engine Oil Filter		after the first 50 hours of operation. Every 500 hours



■ FILTERS/ELEMENTS

ENGINE OIL 010	AIR CONDITIONER 020	030	FUEL FILTER 040	050	FUEL PUMP 060
FUEL SEPARATOR 070	OIL SEPARATOR 080	090	HYDRAULIC OIL FILTER 100, 110, 120		
AIR FILTER 130, 140		DEF TANK 143	TRANSAXLE 145, 147		

■ BELT

FAN 150	AIR CONDITIONER 160			
-------------------	-------------------------------	--	--	--

■ CAP

FUEL TANK 170	DEF TANK 180	DEF PUMP 190, 200	OIL FILLER 210	OIL TANK 220
-------------------------	------------------------	-----------------------------	--------------------------	------------------------

■ WATER

230	240	250	WIPER 260
-----	-----	-----	---------------------

≡ Interchangeable

NI Not Interchangeable

>> New for Old

<< Old for New

No.	Part No.	Part Name	Qty	FRT[h]	IC	Serial No./PIN	Remarks	.lbs
010	HH1G0-32430	CARTRIDGE,OIL FILTER	1	-				2.365
020	6A671-75090	FILTER	2	-				0.176
030	3B794-71602	FILTER	1	-				0.242
040	HH1J0-43172	FUEL FILTER	1	-				1.43
050	1J520-43060	ASSY ELEMENT,FILTER	1	-				0.5104
060	1G410-52300	FILTER	1	-				0.055
070	1G311-43380	ELEMENT	1	-				0.0726
080	1J524-05812	ELEMENT,KIT	1	-				0.1408
090	3J080-10880	ELEMENT,FILTER	1	-				1.122
100	3J080-10890	ELEMENT,FILTER	1	-				0.2464
110	3J028-08960	FILTER	1	-				2.739
120	3J080-15580	FILTER	1	-				1.43

000001 FREQUENTLY USED ITEMS ## M7-152P
M7-152P FREQUENTLY USED ITEMS

Update Date: 2025/04/28
Printing Date: 2025/05/24

== Interchangeable NI Not Interchangeable >> New for Old << Old for New

No.	Part No.	Part Name	Qty	FRT[h]	IC	Serial No./PIN	Remarks	.lbs
130	3J080-10860	FILTER	1	-				0.4642
140	3J080-10872	FILTER,ASSY	1	-				2.2
143	1J508-19990	FILTER	1	-				0.0044
145	3J080-12420	FILTER(FILLER)	1	-		<=12016		0.033
145	3J036-95000	FILTER(FILLER)	1	-	NI	>=12017		0.0
147	3J080-22820	FILTER(SCREEN)	1	-				0.055
150	3J080-11100	V-BELT	1	-		<=11595		0.44
150	3J036-66320	V-BELT(8PK1754)	1	-	>>	>=11596		0.429
160	3J080-11110	V-BELT	1	-		<=11595	WITH PNEUMATIC TRALER BRAKE	0.352
160	3J036-66330	V-BELT(6PK1864)	1	-	>>	>=11596	WITH PNEUMATIC TRALER BRAKE	0.3344
160	3J080-11120	V-BELT(SUB)	1	-		<=11635	W/O PNEUMATIC TRALER BRAKE	0.308
160	3J036-66340	V-BELT(6PK1661)	1	-	>>	>=11636	W/O PNEUMATIC TRALER BRAKE	0.308
170	3J027-92620	CAP,FUEL	1	-				0.308
180	1J508-19822	CAP(TANK,DEF)	1	-			BLUE	0.253
190	1J508-19660	FILTER,ASSY(DEF)	1	-				0.264
200	1J508-19630	CAP	1	-				0.0154
210	E9151-33140	PLUG(OIL FILLER)	2	-				0.0374
220	3J080-12310	PLUG(TANK,OIL)	1	-				0.0132
230	3J027-74030	HOSE(COOL,WATER)	1	-				1.287
240	3J031-08480	HOSE(WATER,2)	1	-				2.112
250	1G410-73012	ASSY THERMOSTAT	1	-				0.396
260	3Y201-54020	BLADE,ASSY(WIPER)	2	-				0.253

MX5400H/MX6000H



FUJTL-362-13

Item	Capacity	Change Interval
Engine Oil	7.0 L (7.4 U.S.qts.)	after the first 50 hours of operation.Every 400 hours
Engine Oil Filter		after the first 50 hours of operation.Every 400 hours



ELECTRICAL PARTS

010	020	030	040	050	
060 070 080 090 100 110	120 130 120 150 140	HEAD	FRONT COMBINATION		
160	170	180			
REAR	WORK	HAZARD	ROOM	HEATER PANEL	
190 200 190: TURN 200: TAIL	210	220	230	240	
FILTERS / ELEMENTS					
ENGINE	FUEL	WATER SEPARATOR	OIL SEPARATOR	INLET	HST
250	260	270	280	290	300
BELT					
AIR CLEANER	AIR CONDITIONER	FAN	COMPRESSOR		
310 320	330	340	350		
OTHERS					
360	370	380			

≡ Interchangeable

NI Not Interchangeable

>> New for Old

<< Old for New

No.	Part No.	Part Name	Qty	FRT[h]	IC	Serial No./PIN	Remarks	.lbs
010	T0270-81810	ASSY KEY,MAIN SWITCH	1	-				0.561
020	T0270-81840	ASSY KEY,MAIN SWITCH	1	-				0.0506
030	TC860-55120	SWITCH(COMBINATION)	1	-				0.286
040	1J801-73012	THERMOSTAT,ASSY	1	-				0.176
050	T1850-39010	SWITCH,OIL	1	-				0.088
060	T1065-30430	FUSE	6	-		5A		0.0022
070	5H050-41620	FUSE	4	-		10A		0.0066
080	5H050-41630	FUSE	1	-		15A		0.0022
090	5H050-41640	FUSE(20A,AUTO)	4	-		20A		0.0022
100	T1150-30480	FUSE	1	-		7.5A		0.0044
110	T1060-30470	FUSE,MINI(30A)	5	-		30A		0.011
120	TC630-30500	FUSE,SLOW-BLOW(60A)	2	-		60A		0.011

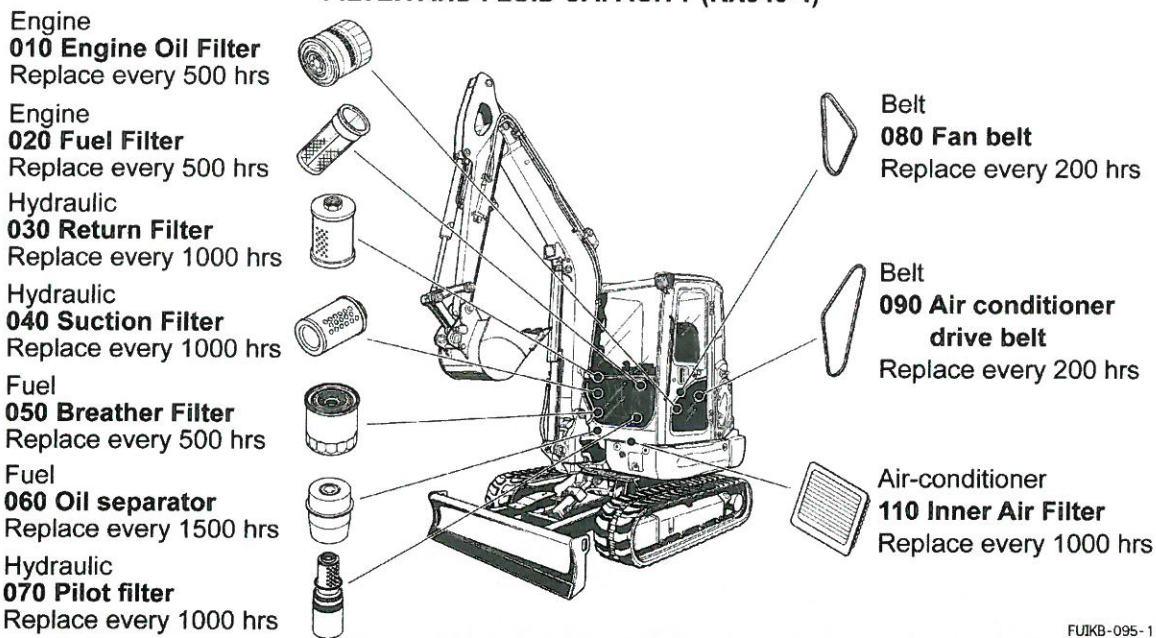
000001 FREQUENTLY USED ITEMS ## MX6000DTHC
 MX6000HSTC FREQUENTLY USED ITEMS

Update Date: 2025/04/08
 Printing Date: 2025/05/24

≡ Interchangeable NI Not Interchangeable >> New for Old << Old for New

No.	Part No.	Part Name	Qty	FRT[h]	IC	Serial No./PIN	Remarks	.lbs
130	1G111-65720	FUSE	1	-			30A	0.011
140	52794-42420	FUSE	2	-			60A	0.022
150	3W999-00080	FUSE	1	-			100A	0.0132
160	TD170-99010	BULB	2	-			35W	0.055
170	T1880-99110	BULB(12V21W)	2	-			21W	0.044
180	T1880-99140	BULB(12V5W)	2	-			5W	0.022
190	TC420-30030	BULB(12V21W)	2	-			21W	0.022
200	TC420-30040	BULB(12V21W/5W)	2	-			5/21W	0.022
210	T1275-91060	BULB	2	-			35W	0.022
220	3N340-91530	BULB	2	-			32CP	0.0264
230	3C581-54220	BULB,ROOM LIGHT	1	-			5W	0.0044
240	T1275-87220	VALVE,HEATER CONTROL	3	-			1.44W	0.0022
250	HH164-32430	ENGINE OIL FILTER	1	-				1.1
260	HH1J1-43172	FILTER	1	-				1.188
270	V0521-51940	ELEMENT,ASSY	1	-				0.0836
280	1J770-05810	ELEMENT,KIT	1	-				0.121
290	HHTA0-37710	FILTER(CARTRIDGE,OIL)	1	-				1.606
300	HHTA0-59900	FILTER(CARTRIDGE,OIL)	1	-				2.068
310	R2401-42280	ELEMENT,INNER	1	-				0.66
310	1J461-11220	ELEMENT(INNER)	1	-	=			0.561
320	R1401-42270	ELEMENT,OUTER	1	-				1.1
330	T1855-71600	FILTER	1	-				0.5808
340	TC650-97020	V-BELT(43.5 A)	1	-				0.275
350	TD170-79320	V BELT	1	-				0.264
360	TC430-16092	CAP,ASSY(RADIATOR)	1	-				0.0
370	TC860-16120	HOSE(RADIATOR,UPPER)	1	-				0.506
380	TC650-16142	HOSE(RADIATOR,LOWER)	1	-				0.462

FILTER AND FLUID CAPACITY (KX040-4)



FUIKB-095-11

KX040-4	Fuel	Coolant		Engine Oil	Gear Oil	Hydraulic Oil		Front Idler and Track Roller oil	Drive Unit Oil
		Canopy	Cabin			Hydraulic Tank	Whole Volume		
Capacities	16.9 Gal 64 L	1.77 Gal 6.7 L	6.7 Gal 7.0 L	1.32 Gal 5.0 L	0.17 Gal 0.65 L	11.1 Gal 42 L	17.7 Gal 67 L	0.17 Gal 0.65 L	0.17 Gal 0.65 L
Change Interval		2 years	2 years	500 hrs	500 hrs	1000 hrs		2000 hrs	500 hrs
Ref #		120		130	140	150		140	140

≡ Interchangeable

NI Not Interchangeable

>> New for Old

<< Old for New

No.	Part No.	Part Name	Qty	FRT[h]	IC	Serial No./PIN	Remarks	.lbs
010	HH164-32430	ENGINE OIL FILTER	1	-				1.1
020	11151-41350	FILTER,FUEL	1	-				0.044
030	RD461-62120	FILTER(RETURN)	1	-				1.76
040	RD411-62210	FILTER,SUCTION	1	-				1.254
050	RD159-51020	FILTER	1	-		<=31771		1.144
050	RD159-51022	FILTER	1	-	>>	>=31772		1.144
060	RD159-51940	ELEMENT,ASSY	1	-				0.2332
070	R1411-64930	ELEMENT,FILTER	1	-				0.176
080	RD158-42920	V-BELT(45.5)	1	-			EXCEPT A/C	0.275
080	RD158-47920	V-BELT(46.5)	1	-			A/C	0.2816
090	RD158-53810	BELT,COGGED	1	-				0.2486
110	6A671-75090	FILTER	2	-				0.176